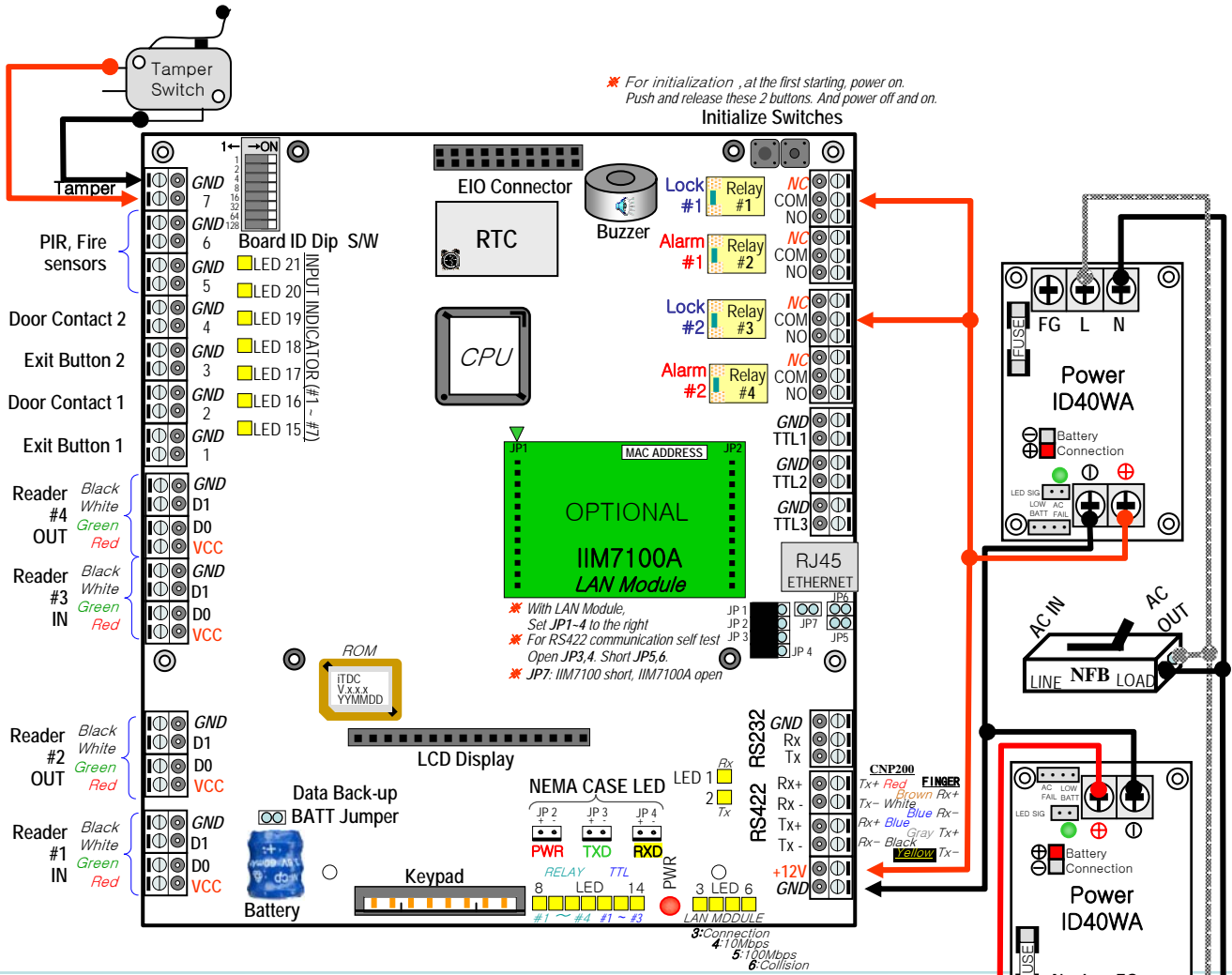
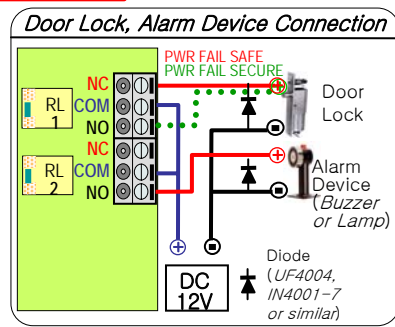
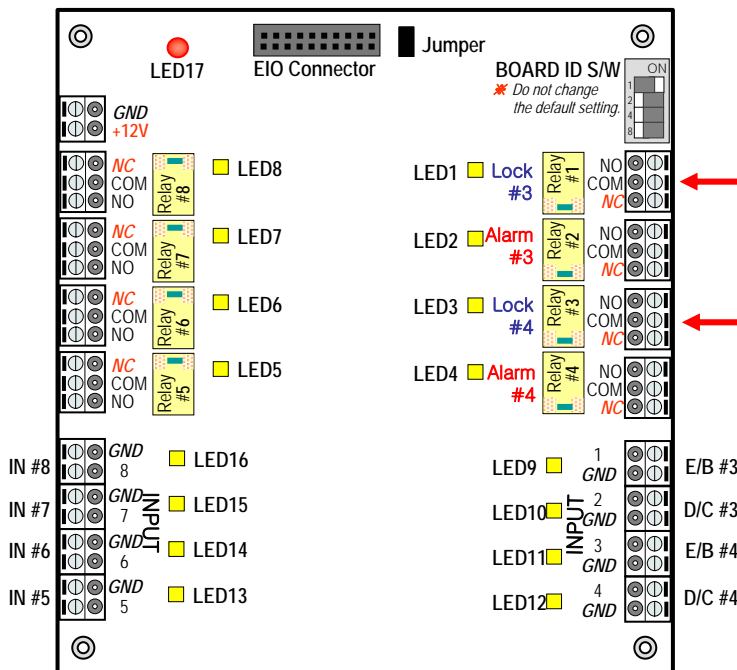


# ITDC Connection

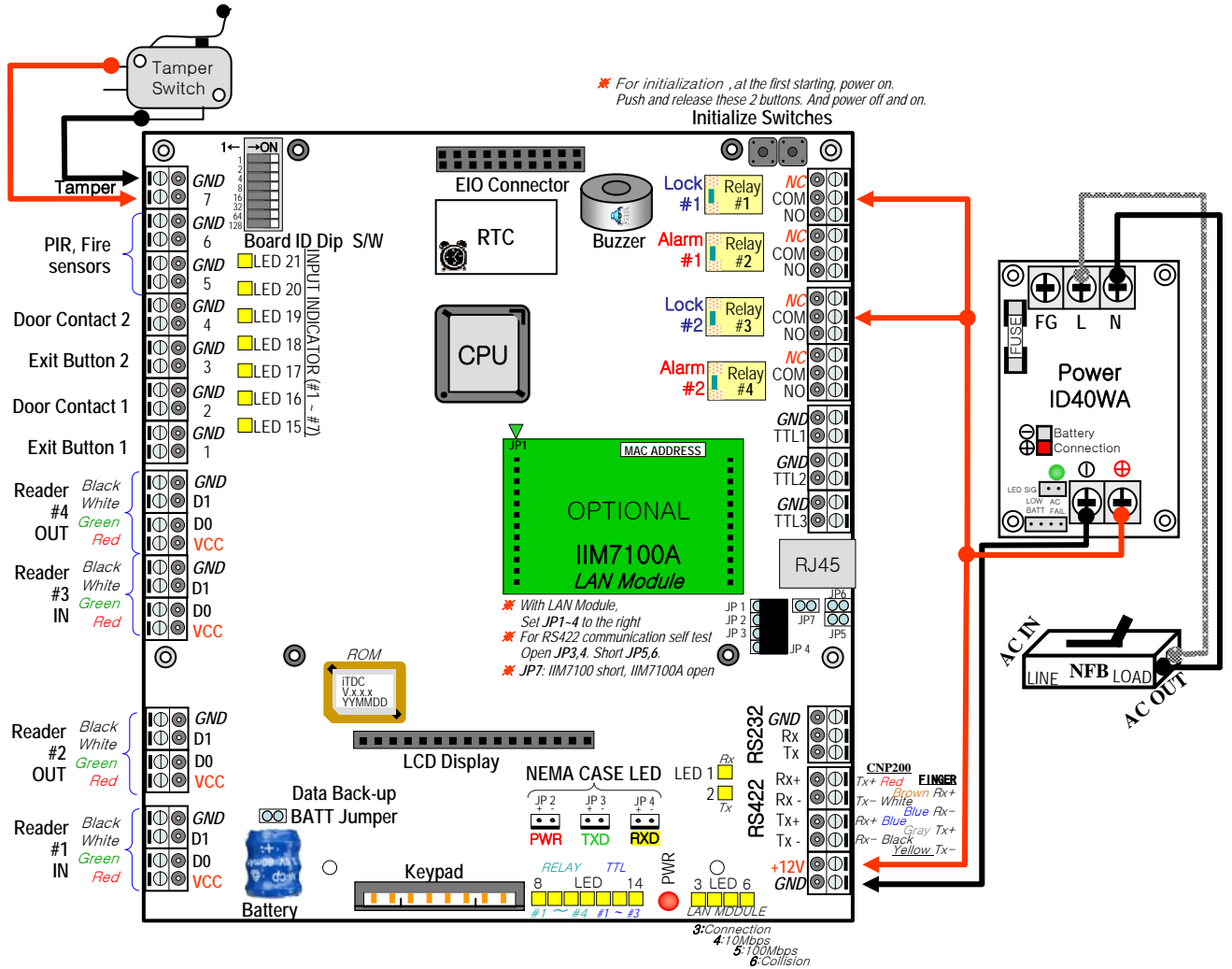
\* For initialization, at the first starting power on.  
Push and release these 2 buttons. And power off and on.



## ITDC EIO88 Card Reader 4 Door Connection



# ITDC Connection



## Door Lock, Alarm Device Connection

